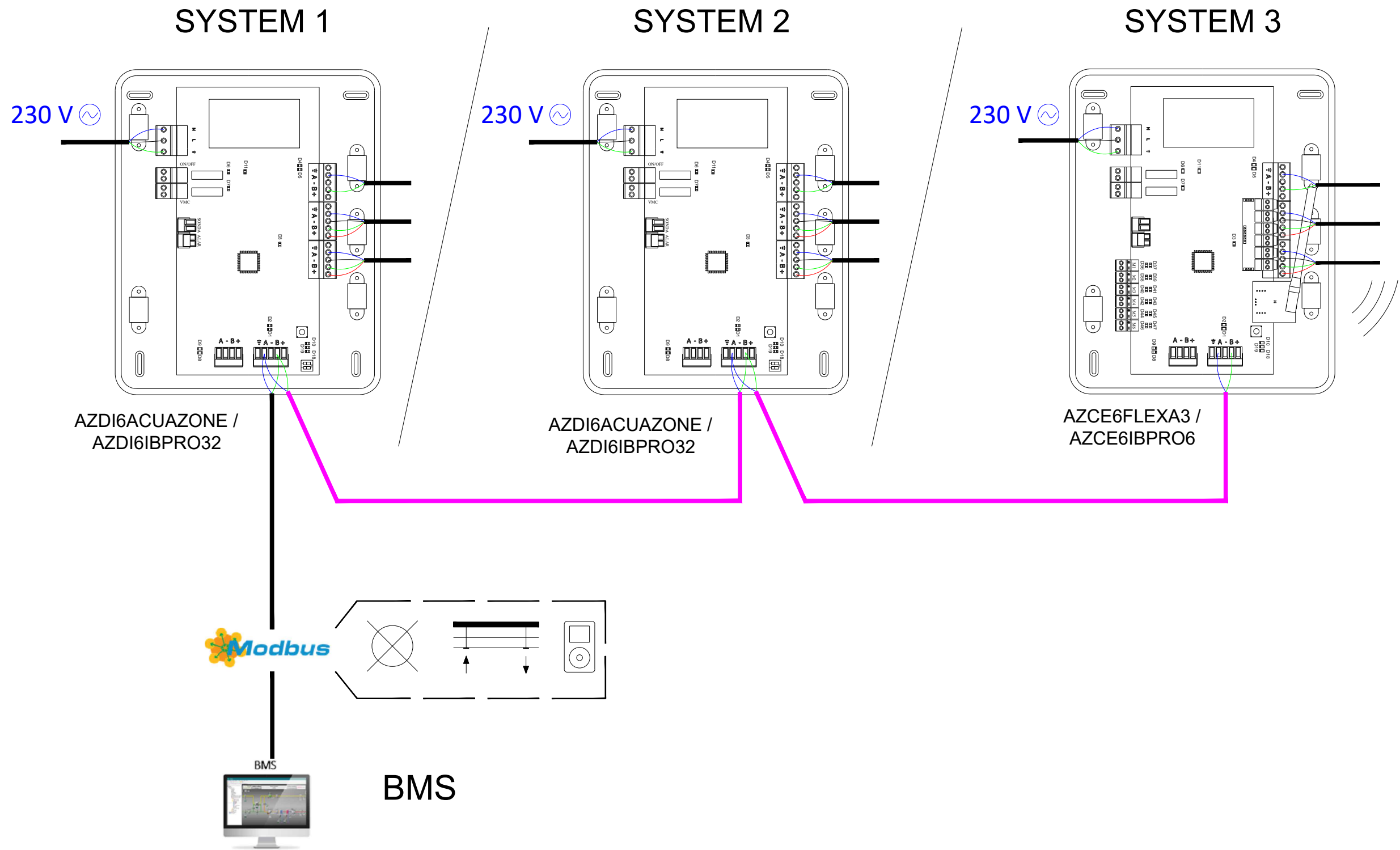


# Airzone - BMS Integration



**IMPORTANT NOTE:** IT IS THE INSTALLER'S RESPONSIBILITY TO VERIFY THE INFORMATION SUPPLIED BY AIRZONE WITH THE EQUIPMENT MANUFACTURER REGARDING THE CONNECTION OF THE CCP (AZX6CCP) TO PRODUCTION.

For more information about CCP click [here](#)

