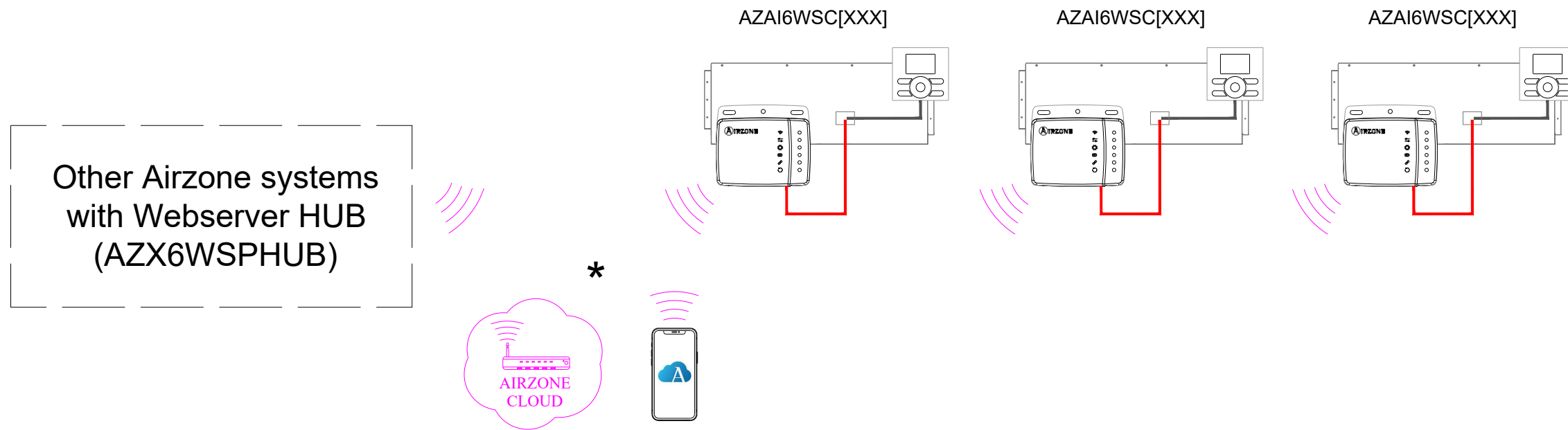
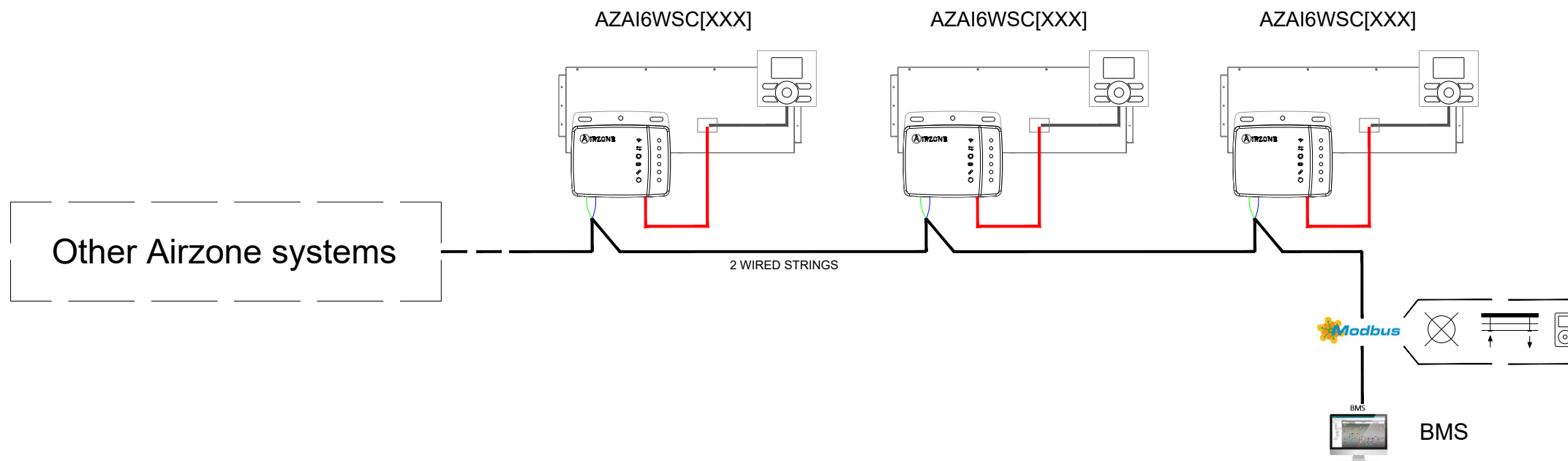


AIDOO WI-FI

Airzone Cloud Integration



Modbus integration



*Airzone Cloud allows to integrate Aidoo and other Airzone systems.

Note: Check indoor unit manufacturer to select the correct Aidoo Wi-Fi model.

Modbus
RTU Port



DUAL WIFI



Bluetooth
configuration

PLAN

DETAIL DIAGRAM

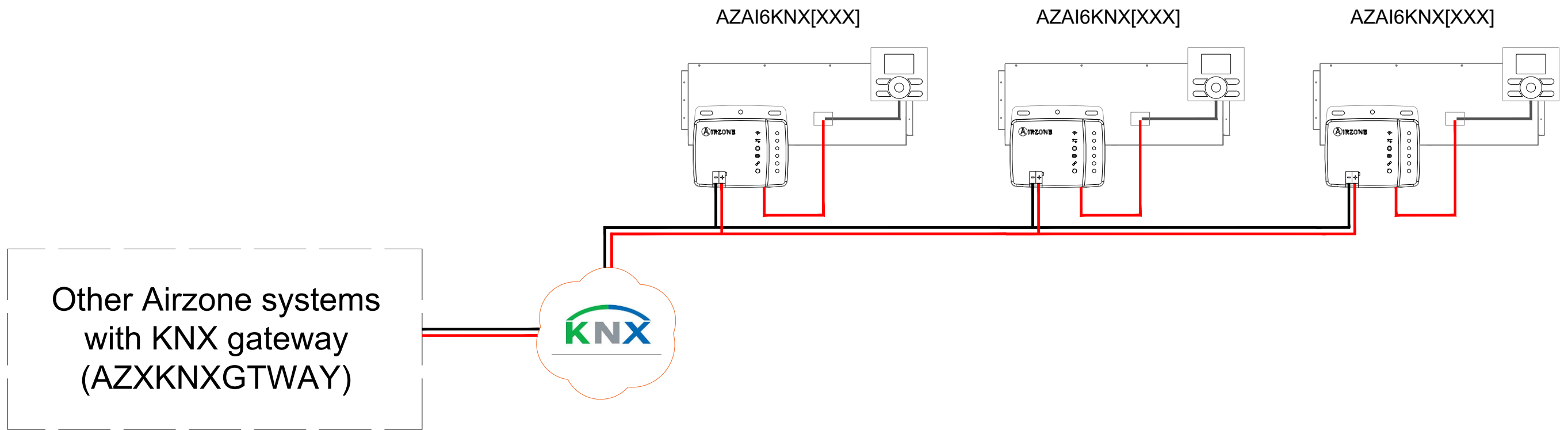
PLAN

1/4

DATE : 2021



AIDOO KNX

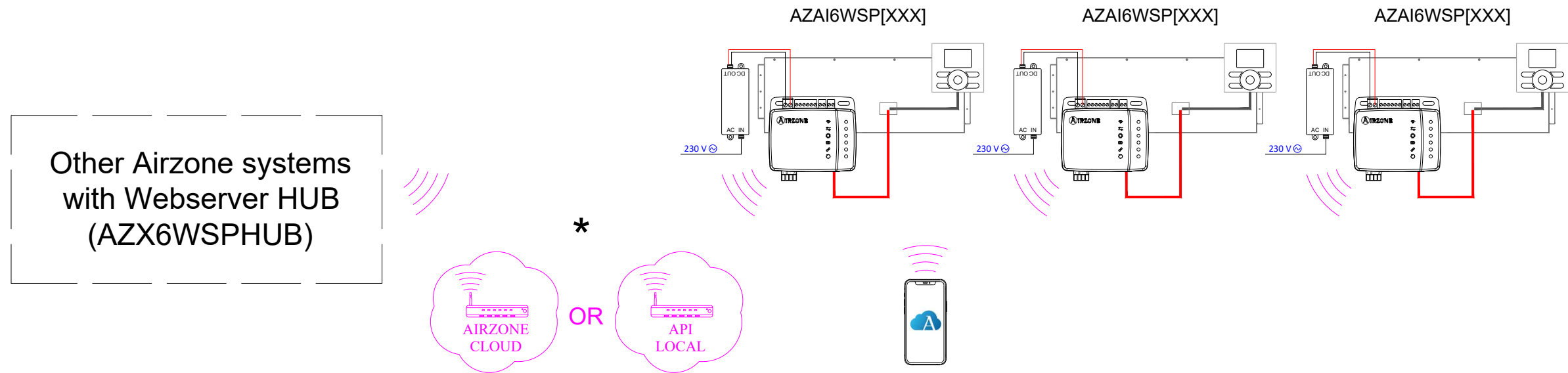


Note: Check indoor unit manufacturer to select the correct Aidoo KNX model.

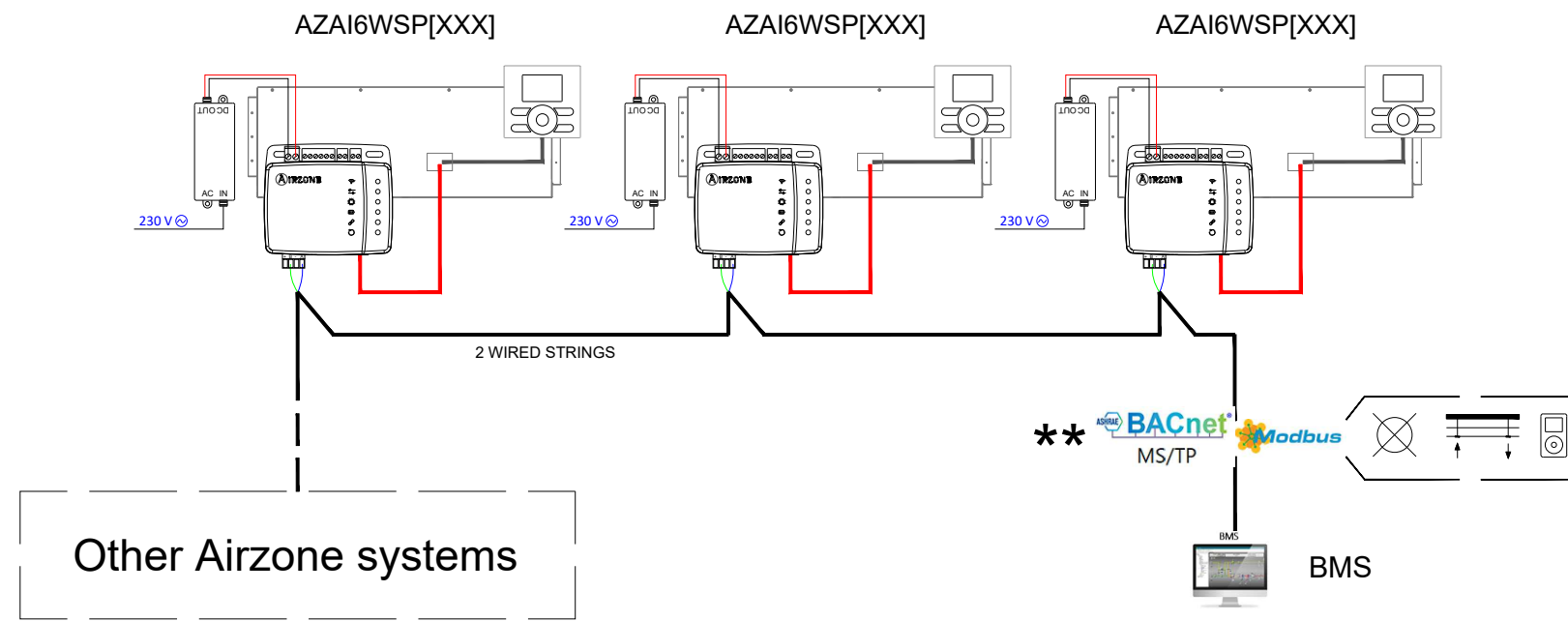


AIDOO PRO

Airzone Cloud / API Local Integration



Modbus / BACnet integration



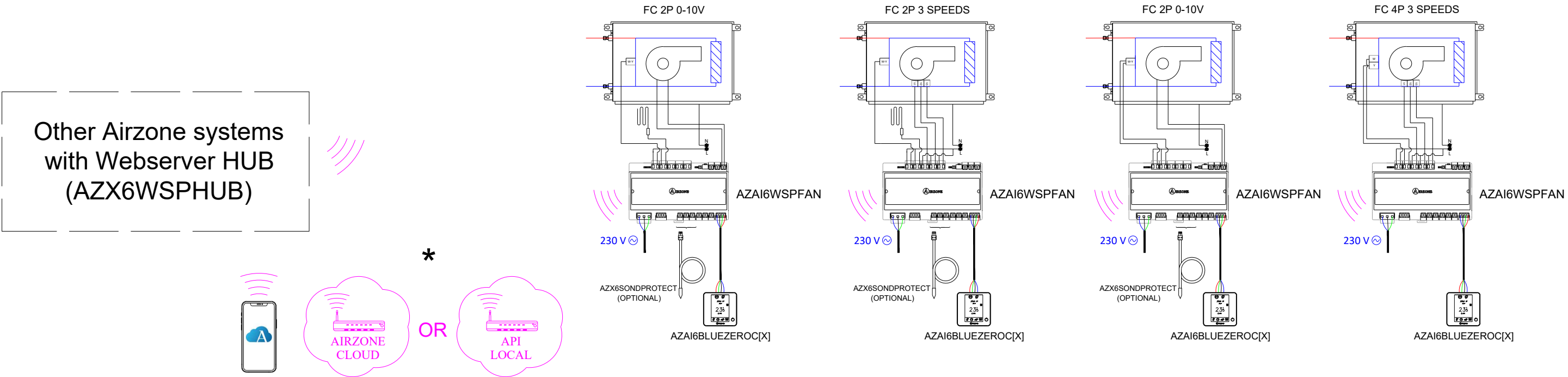
*Airzone Cloud allows to integrate Aidoo and other Airzone systems.
 **For BACnet IP integration support please contact projects@airzonecontrol.com

Note: Check indoor unit manufacturer to select the correct Aidoo Pro model.

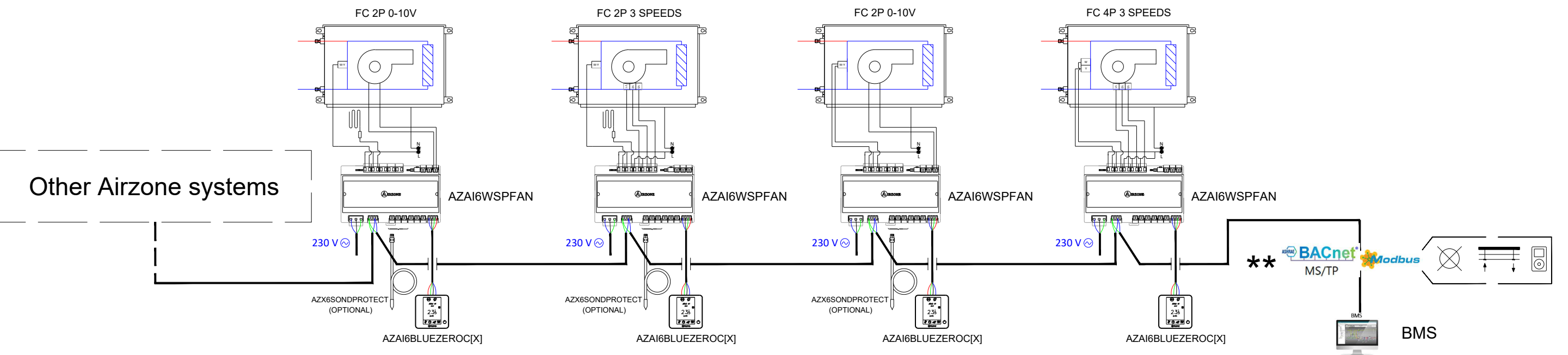


AIDOO PRO FANCOIL

Airzone Cloud / API Local Integration



Modbus / BACnet integration



*Airzone Cloud allows to integrate Aidoo and other Airzone systems.
 **For BACnet IP integration support please contact projects@airzonecontrol.com

- [REST:API]
- API
- BACnet MS/TP Port
- Modbus RTU Port
- DUAL WIFI
- Bluetooth configuration